

# Compal Confidential

## Schematic Document

LS-F114P (PWR/B 15")

MODEL NAME : CAL50

Date: 2016/06/17

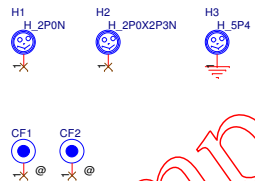
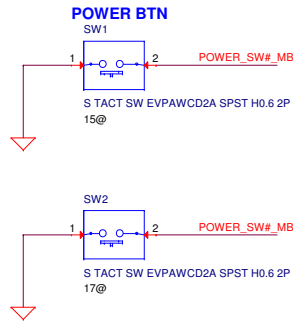
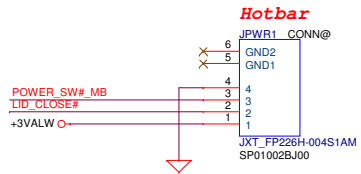
Rev:1.0(A00)

Compal Confidential for D011 Review

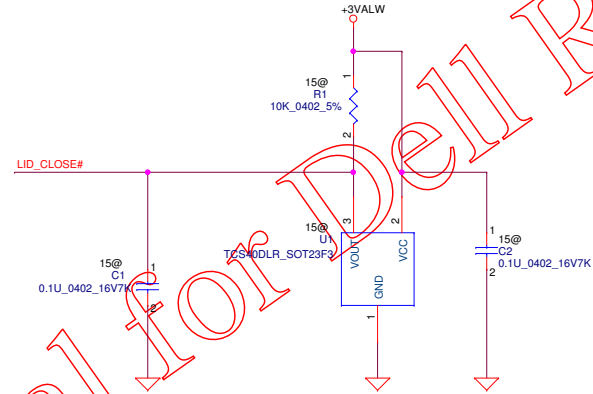
Security Classification	Compal Secret Data			Compal Electronics, Inc.			
Issued Date	2014/04/21	Deciphered Date	2015/04/30	Title	P01-Cover Page		
THIS SHEET OF ENGINEERING DRAWING IS THE PROPRIETARY PROPERTY OF COMPAL ELECTRONICS, INC. AND CONTAINS CONFIDENTIAL AND TRADE SECRET INFORMATION. THIS SHEET MAY NOT BE TRANSFERRED FROM THE CUSTODY OF THE COMPETENT DIVISION OF CUSTOMER DEPARTMENT EXCEPT AS AUTHORIZED BY COMPAL ELECTRONICS, INC. NEITHER THIS SHEET NOR THE INFORMATION IT CONTAINS MAY BE USED BY OR DISCLOSED TO ANY THIRD PARTY WITHOUT PRIOR WRITTEN CONSENT OF COMPAL ELECTRONICS, INC.				Document Number	LS-F114P	Rev	0.1
				Date:	Wednesday, July 19, 2017	Sheet	1 of 3

# POWER/B

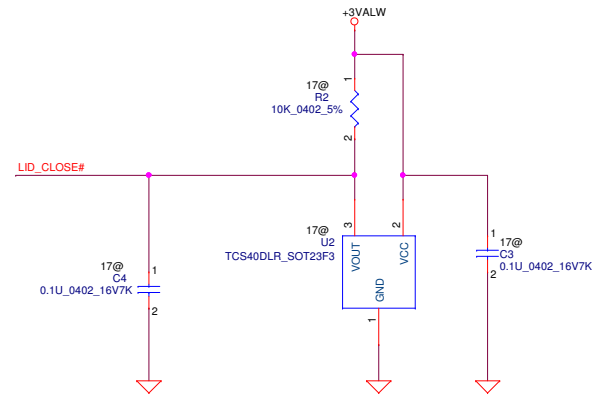
ZZZ  
 DA4002IU011  
 PCB@  
 PCB 21C LS-F114P REV1 PWR/B



## Lid Switch 1



## Lid Switch 2



Confidential for Dell Review

Security Classification		Compal Secret Data		Compal Electronics, Inc.	
Issued Date	2010/06/30	Deciphered Date	2012/06/30	Title	P02-PWR/B
THIS SHEET OF ENGINEERING DRAWING IS THE PROPRIETARY PROPERTY OF COMPAL ELECTRONICS, INC. AND CONTAINS CONFIDENTIAL AND TRADE SECRET INFORMATION. THIS SHEET MAY NOT BE TRANSFERRED FROM THE CUSTODY OF THE COMPETENT DIVISION OF R&D DEPARTMENT EXCEPT AS AUTHORIZED BY COMPAL ELECTRONICS, INC. NEITHER THIS SHEET NOR THE INFORMATION IT CONTAINS MAY BE USED BY OR DISCLOSED TO ANY THIRD PARTY WITHOUT PRIOR WRITTEN CONSENT OF COMPAL ELECTRONICS, INC.				Document Number	LS-F114P
				Date	Thursday, July 20, 2017
				Sheet	2 of 2
				Rev	0.1