

# Compal Confidential

## Schematic Document

LS-F111P (IO/B)

MODEL NAME : CAL50

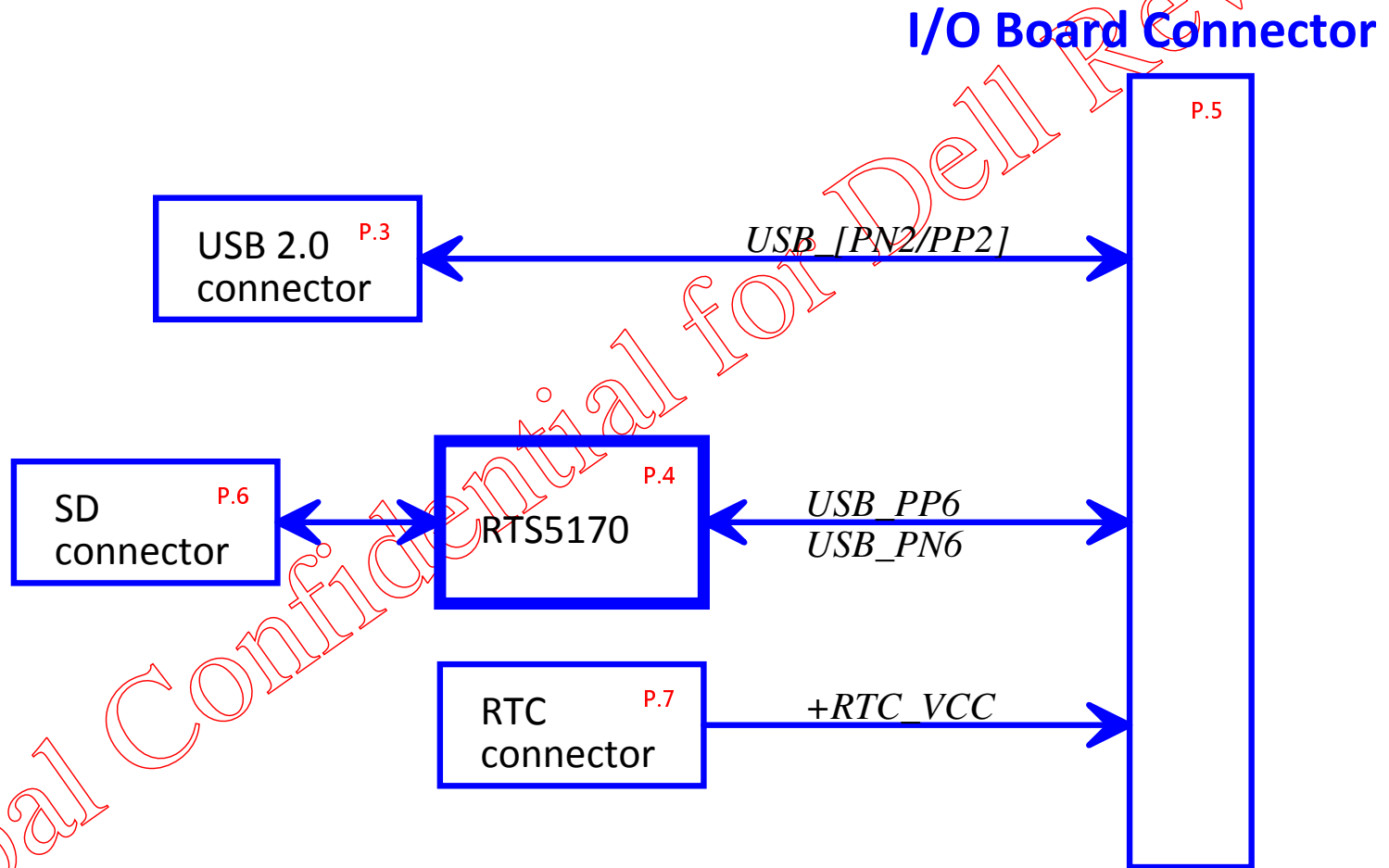
Date: 2016/11/29

Rev:1.0(A00)

Compal Confidential for Dell Review

Security Classification	Compal Secret Data			Title		<i>Compal Electronics, Inc.</i>
Issued Date		Deciphered Date	2016/11/29	Title		<b>Cover Sheet</b>
<small>THIS SHEET OF ENGINEERING DRAWING IS THE PROPRIETARY PROPERTY OF COMPAL ELECTRONICS, INC. AND CONTAINS CONFIDENTIAL AND TRADE SECRET INFORMATION. THIS SHEET MAY NOT BE TRANSFERRED FROM THE CUSTODY OF THE COMPETENT DIVISION OF R&amp;D DEPARTMENT EXCEPT AS AUTHORIZED BY COMPAL ELECTRONICS, INC. NEITHER THIS SHEET NOR THE INFORMATION IT CONTAINS MAY BE USED BY OR DISCLOSED TO ANY THIRD PARTY WITHOUT PRIOR WRITTEN CONSENT OF COMPAL ELECTRONICS, INC.</small>				Size	Document Number	Rev
				Custom	<b>LS-F111P</b>	0.1
				Date:	Sheet	1 of 7

# Block Diagram



Security Classification		Compal Secret Data		Compal Electronics, Inc.	
Issued Date		Deciphered Date		Title	
		2016/11/29		<b>Block Diagram</b>	
THIS SHEET OF ENGINEERING DRAWING IS THE PROPRIETARY PROPERTY OF COMPAL ELECTRONICS, INC. AND CONTAINS CONFIDENTIAL AND TRADE SECRET INFORMATION. THIS SHEET MAY NOT BE TRANSFERRED FROM THE CUSTODY OF THE COMPETENT DIVISION OF R&D DEPARTMENT EXCEPT AS AUTHORIZED BY COMPAL ELECTRONICS, INC. NEITHER THIS SHEET NOR THE INFORMATION IT CONTAINS MAY BE USED BY OR DISCLOSED TO ANY THIRD PARTY WITHOUT PRIOR WRITTEN CONSENT OF COMPAL ELECTRONICS, INC.				Document Number	
				<b>LS-F111P</b>	
Date:				Rev	
				0.1	
				Sheet 2 of 7	

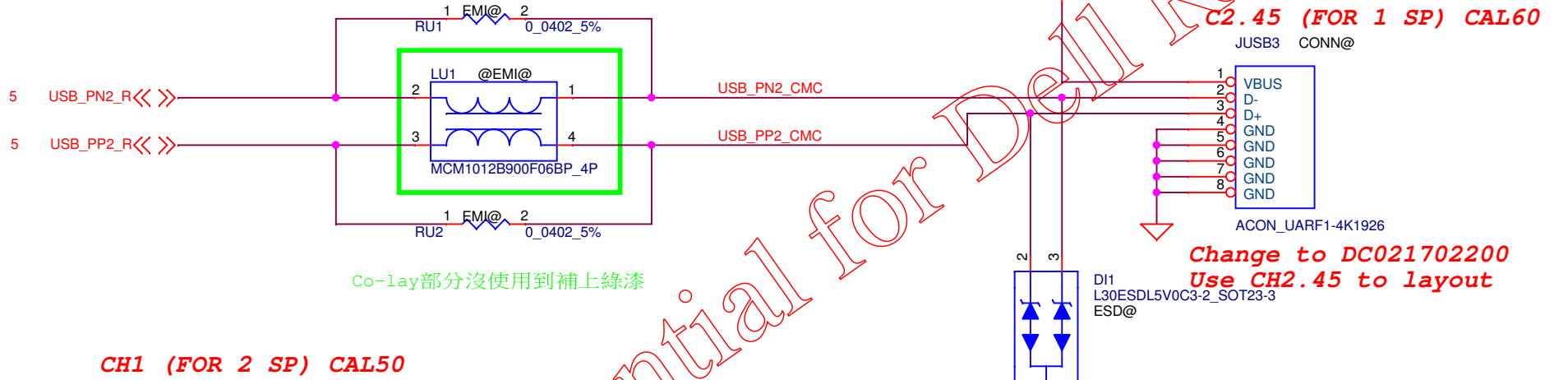
**SSID1 = USB2.0 (Port 3)**

ZZZ  
 DA6001TS011  
 PCB@  
 PCB 21C LS-F111P REV1 IO/B

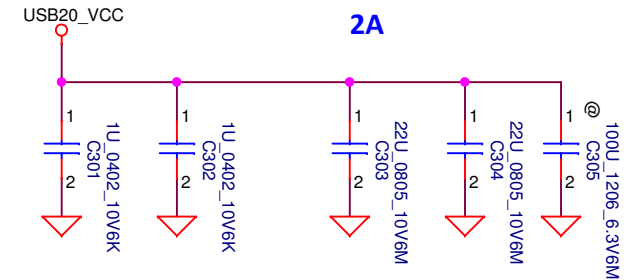
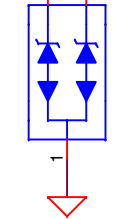
JUSB3 CONN@  
 DC233007P00  
 ACON\_UARBG-4K1926

**USB2.0**

From I/O Board Connector



Co-1ay部分沒使用到補上綠漆

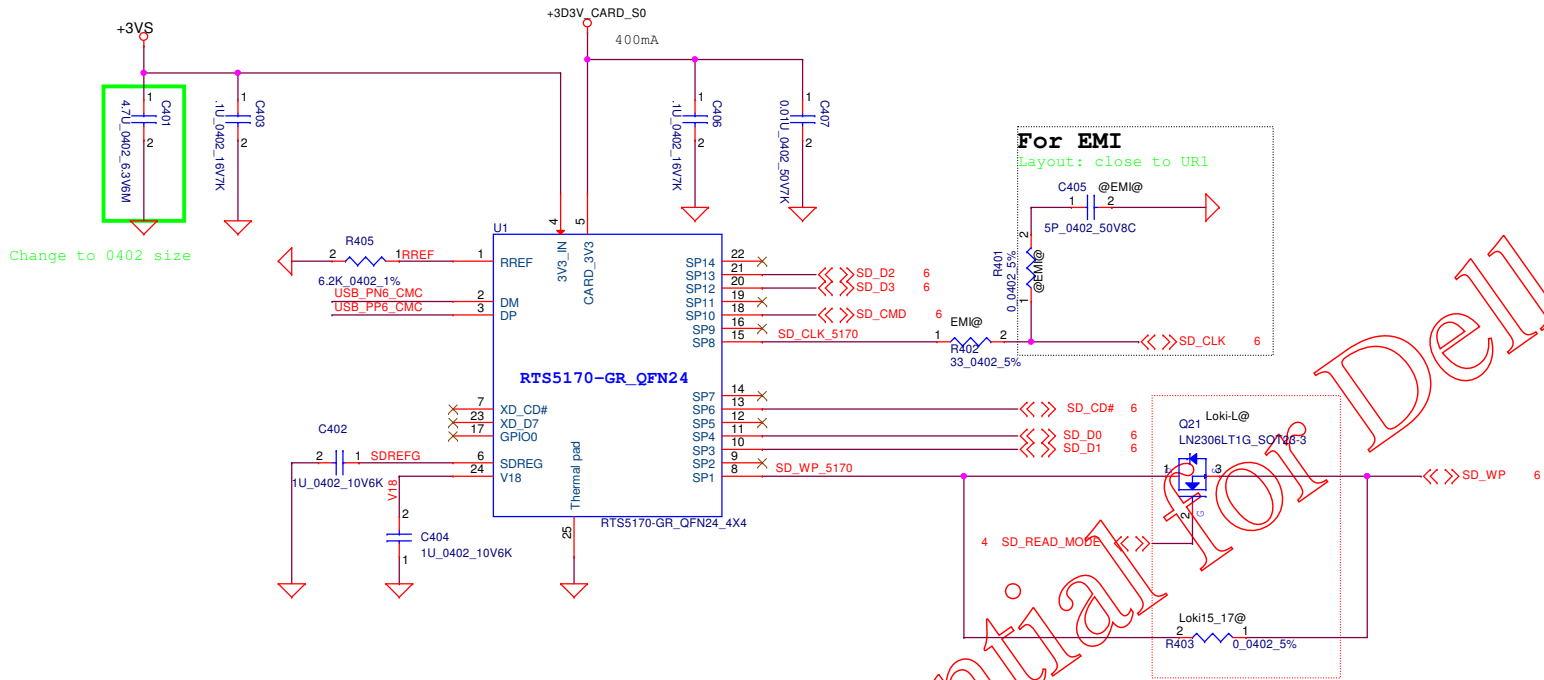


Confidential for Design Review

Security Classification		Compal Secret Data		Title	
Issued Date		Deciphered Date	2016/11/29	USB3.0 (Port 2)	
THIS SHEET OF ENGINEERING DRAWING IS THE PROPRIETARY PROPERTY OF COMPAL ELECTRONICS, INC. AND CONTAINS CONFIDENTIAL AND TRADE SECRET INFORMATION. THIS SHEET MAY NOT BE TRANSFERRED FROM THE CUSTODY OF THE COMPETENT DIVISION OF RESEARCH AND DEVELOPMENT EXCEPT AS AUTHORIZED BY COMPAL ELECTRONICS, INC. NEITHER THIS SHEET NOR THE INFORMATION IT CONTAINS MAY BE USED BY OR DISCLOSED TO ANY THIRD PARTY WITHOUT PRIOR WRITTEN CONSENT OF COMPAL ELECTRONICS, INC.				Document Number	Rev
				LS-F111P	0.1
Date:				Sheet	3 of 7

**Main Func = Card Reader**

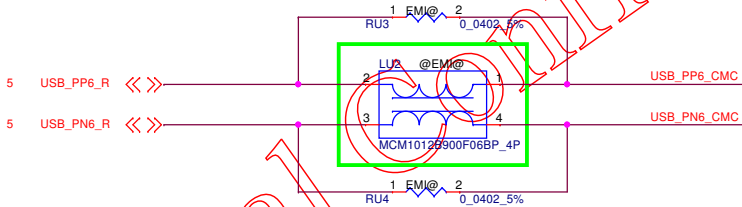
The maximum range of the PMOS output current in RTS5170 (Card Reader IC) is 400mA



**For EMI**  
Layout: close to UR1

Bom controlled for Loki 15/17 & Loki-L

**For CardReader**



C6-1ay部分沒使用到補上綠漆

Confidential for Dell Review

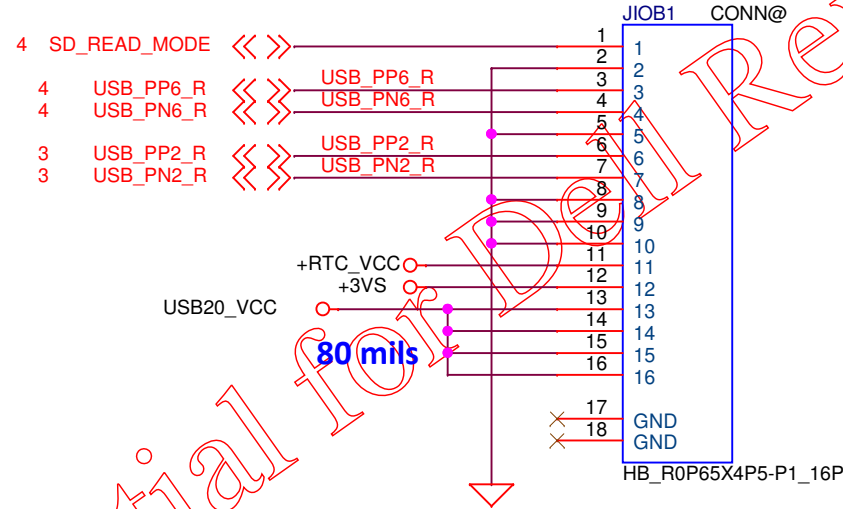
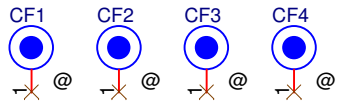
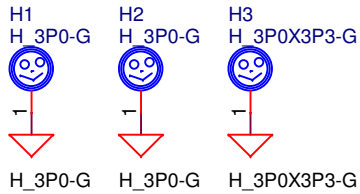
Security Classification		Compal Secret Data		Compal Electronics, Inc.	
Issued Date		Deciphered Date	2016/11/29	Title	Card Reader RTS5170
THIS SHEET OF ENGINEERING DRAWING IS THE PROPRIETARY PROPERTY OF COMPAL ELECTRONICS, INC. AND CONTAINS CONFIDENTIAL AND TRADE SECRET INFORMATION. THIS SHEET MAY NOT BE TRANSFERRED FROM THE CUSTODY OF THE COMPETENT DIVISION OF R&D DEPARTMENT EXCEPT AS AUTHORIZED BY COMPAL ELECTRONICS, INC. NEITHER THIS SHEET NOR THE INFORMATION IT CONTAINS MAY BE USED BY OR DISCLOSED TO ANY THIRD PARTY WITHOUT PRIOR WRITTEN CONSENT OF COMPAL ELECTRONICS, INC.				Size Custom	Document Number LS-F111P
Date:				Rev	0.1
				Sheet	4 of 7

**SSID1 = IO Connector**

## I/O Board Connector

**Hotbar**

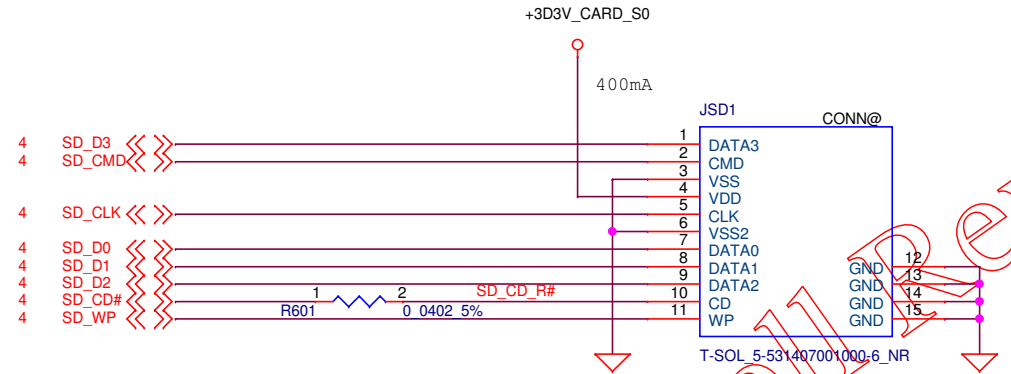
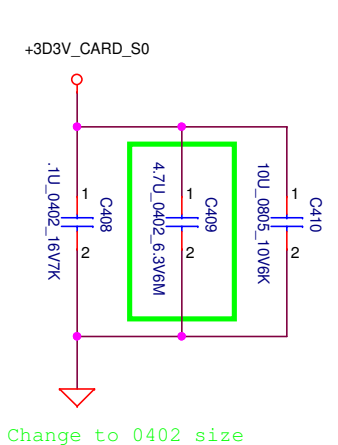
### CardReader



Security Classification		Compal Secret Data		Compal Electronics, Inc.	
Issued Date		Deciphered Date		Title	
		2016/11/29		<b>IO Board Connector</b>	
THIS SHEET OF ENGINEERING DRAWING IS THE PROPRIETARY PROPERTY OF COMPAL ELECTRONICS, INC. AND CONTAINS CONFIDENTIAL AND TRADE SECRET INFORMATION. THIS SHEET MAY NOT BE TRANSFERRED FROM THE CUSTODY OF THE COMPETENT DIVISION OF R&D DEPARTMENT EXCEPT AS AUTHORIZED BY COMPAL ELECTRONICS, INC. NEITHER THIS SHEET NOR THE INFORMATION IT CONTAINS MAY BE USED BY OR DISCLOSED TO ANY THIRD PARTY WITHOUT PRIOR WRITTEN CONSENT OF COMPAL ELECTRONICS, INC.				Document Number	
				<b>LS-F111P</b>	
Date:				Rev	
				0.1	
Sheet		5		of 7	

Confidential for Internal Review

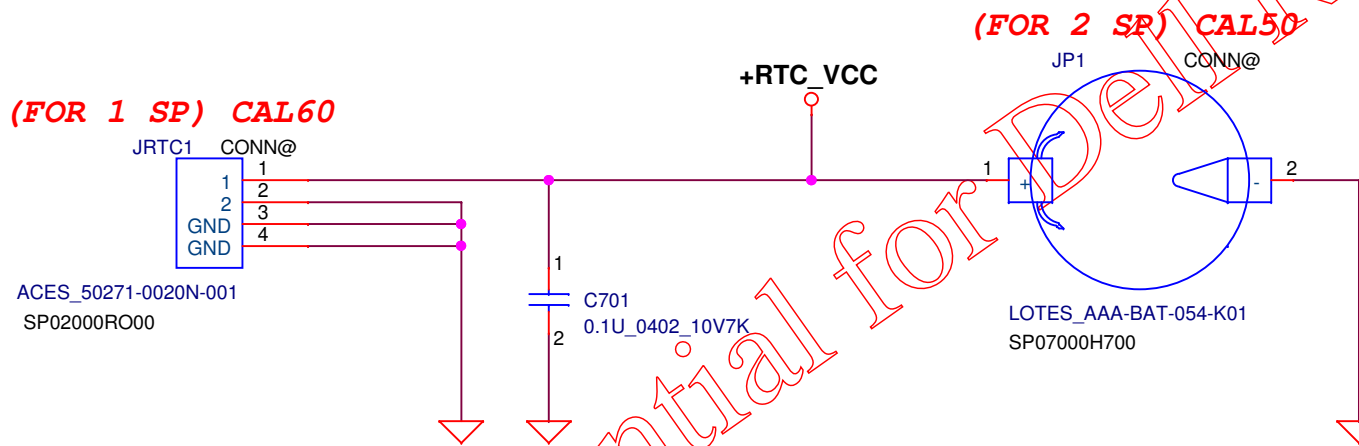
# Main Func = Card Reader



Confidential for Delta Review

Security Classification	Compal Secret Data			Compal Electronics, Inc.	
Issued Date	Deciphered Date	2016/11/29	Title	Card Reader Conn.	
THIS SHEET OF ENGINEERING DRAWING IS THE PROPRIETARY PROPERTY OF COMPAL ELECTRONICS, INC. AND CONTAINS CONFIDENTIAL AND TRADE SECRET INFORMATION. THIS SHEET MAY NOT BE TRANSFERRED FROM THE CUSTODY OF THE COMPETENT DIVISION OF R&D DEPARTMENT EXCEPT AS AUTHORIZED BY COMPAL ELECTRONICS, INC. NEITHER THIS SHEET NOR THE INFORMATION IT CONTAINS MAY BE USED BY OR DISCLOSED TO ANY THIRD PARTY WITHOUT PRIOR WRITTEN CONSENT OF COMPAL ELECTRONICS, INC.				Size Custom	Document Number
				LS-F111P	
Date:			Sheet 6 of 7		

**Main Func = RTC**



Compal Confidential for Design Review

Security Classification		Compal Secret Data		<b>Compal Electronics, Inc.</b>	
Issued Date		Deciphered Date		Title	
		2016/11/29		<b>RTC</b>	
THIS SHEET OF ENGINEERING DRAWING IS THE PROPRIETARY PROPERTY OF COMPAL ELECTRONICS, INC. AND CONTAINS CONFIDENTIAL AND TRADE SECRET INFORMATION. THIS SHEET MAY NOT BE TRANSFERRED FROM THE CUSTODY OF THE COMPETENT DIVISION OF R&D DEPARTMENT EXCEPT AS AUTHORIZED BY COMPAL ELECTRONICS, INC. NEITHER THIS SHEET NOR THE INFORMATION IT CONTAINS MAY BE USED BY OR DISCLOSED TO ANY THIRD PARTY WITHOUT PRIOR WRITTEN CONSENT OF COMPAL ELECTRONICS, INC.				Document Number	
				<b>LS-F111P</b>	
Date:				Rev	
				0.1	
Sheet		7		of 7	